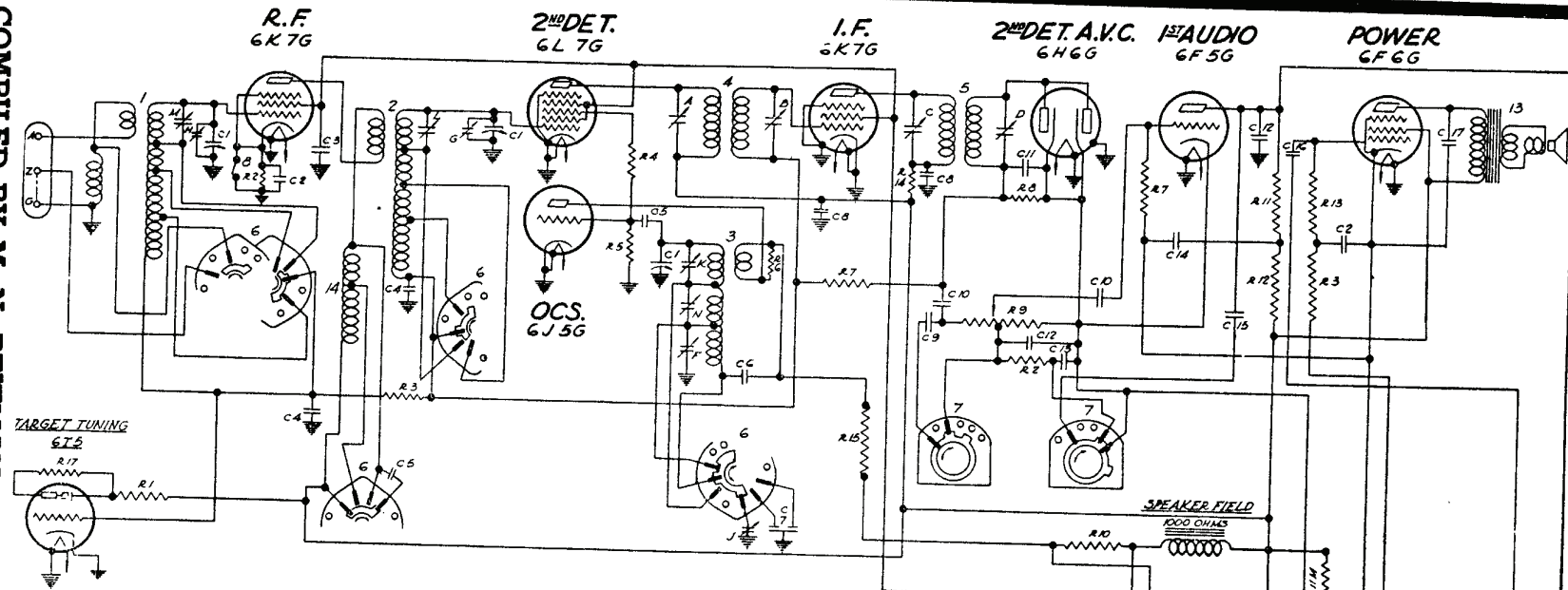


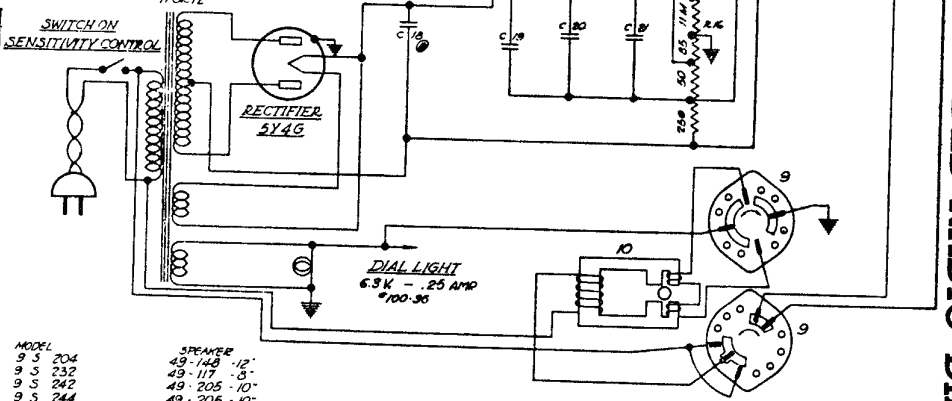
COMPILED BY M. N. BETTMAN, SUPREME PUBLICATIONS

233



DIAL NO.	PART NO.	DESCRIPTION
1	5-5017	ANTENNA COIL & SHIELD ASSEMBLY
2	5-5018	DETECTOR COIL & SHIELD ASSEMBLY
3	5-5019	OSCILLATOR COIL & SHIELD ASSEMBLY
4	35-416	1ST I.F. TRANSFORMER
5	35-417	2ND I.F. TRANSFORMER
6	85-103	BAND SELECTOR SWITCH
7	85-108	TOUR CONTROL SWITCH
8	85-109	SENSITIVITY CONTROL SWITCH
9	85-116	MOTOR CONTROL SWITCH
10	44-51	MOTOR
11	35-418	POWER TRANSFORMER 117V 50-60 CYCLE
12	35-451	POWER TRANSFORMER ALL RANGE 25 CYCLE
13	20-135	SPEAKER TRANSFORMER
14		R.F. CHORE

DIAL NO.	PART NO.	DESCRIPTION	VOLTS	RESISTANCE
C1	22-549	THREE GANG VARIABLE CONDENSER		
C2	22-250	.05 MFD	200 V	
C3	22-170	1 MFD	400 V	
C4	22-487	.05 MFD	400 V	
C5	22-127	25 MFD	400 V	
C6	22-350	.002 MFD	600 V	
C7	22-358	DUAL FIXED PADDER		
C8	22-212	.05 MFD	400 V	
C9	22-182	.00025 MFD	600 V	
C10	22-527	.02 MFD	200 V	
C11	22-162	.0001 MFD	600 V	
C12	22-147	.0005 MFD	600 V	
C13	22-326	.003 MFD	400 V	
C14	22-177	2 MFD	400 V	
C15	22-448	.004 MFD	400 V	
C16	22-435	.02 MFD	600 V	
C17	22-627	.002 MFD	1000 V	
C18	22-569	12 MFD DRY ELECTROLYTIC	450 V	
C19		.05 MFD	450 V	
C20	22-571	.6 MFD	450 V	
C21		.8 MFD	450 V	
R1	63-609	22 M OHMS	1/2 W x 20	
R2	63-393	47 M OHMS	1/4 W x 20	
R3	63-595	100 M OHMS	1/4 W x 20	
R4	63-591	470 OHMS	1/4 W x 20	
R5	63-645	27 M OHMS	1/4 W x 20	
R6	63-596	3300 OHMS	1/4 W x 20	
R7	63-277	1 MEG OHMS	1/4 W x 20	
R8	63-658	390 M OHMS	1/4 W x 20	
R9	63-541	2 MEG OHMS VOLUME CONTROL	1/4 W x 20	
R10	63-608	15 M OHMS	1/4 W x 10	
R11	63-296	220 M OHMS	1 W x 20	
R12	63-654	180 M OHMS	1/4 W x 20	
R13	63-597	470 M OHMS	1/4 W x 10	
R14	63-606	100 OHMS	1/4 W x 20	
R15	63-600	10 M OHMS	1/2 W x 20	
R16	63-570	5 SECTION CARBORUM 1 MEG OHM MOUNTED IN TUNING TUBE SOCKET	1 W x 20	



I.F.-FREQUENCY 456 K.C.
 9TUBE SUPERHETERODYNE
 3BAND
 CHASSIS No 5905

Models 9-S-203, 9-S-232, 9-S-242, 9-S-244, 9-S-262, 9-S-263, 9-S-264 (5905 Chassis)

MANUAL OF MOST-OFTEN-NEEDED RADIO DIAGRAMS